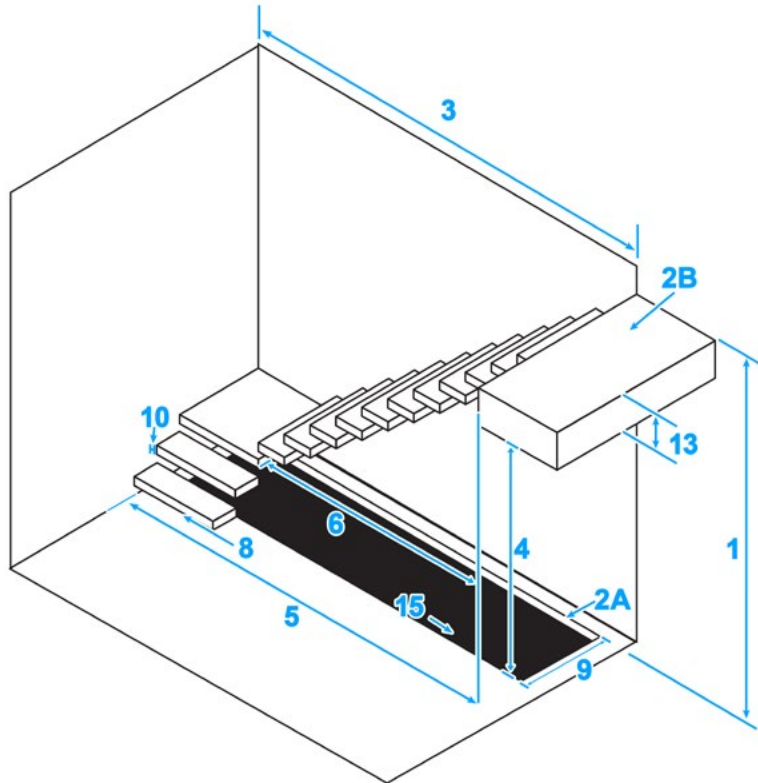


Customer Name: _____ Order Number: _____ Date: _____

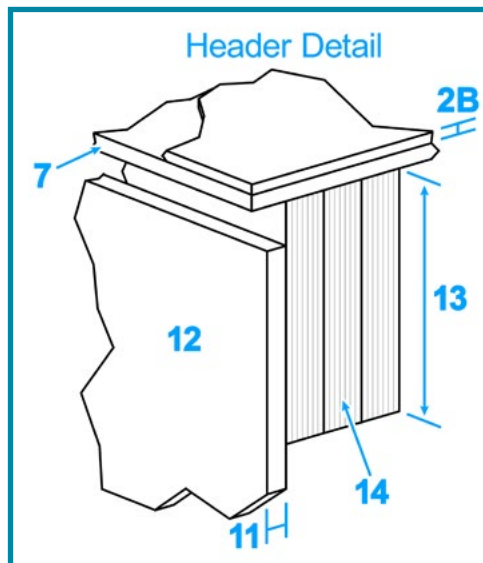
Need on site Date: _____ Name or Location of Stair System: _____



All measurements to be in feet & inches

1. Subfloor to Subfloor _____
2. Finished Floor Thickness:
 - Downstairs _____
 - Upstairs _____
3. Ceiling Opening _____
(Specify finished dimension or rough framing)
4. Ceiling Height _____
5. Space Constraint _____
6. Header to Header _____
7. Subfloor Material:

Downstairs	Upstairs
Wood	Wood
Concrete	Concrete
8. Mounting To:
 - Subfloor
 - Finished Floor
 - Wall
9. Stairwell Width _____
10. Desired Wall Gap _____
11. Header Wall Thickness _____
12. Finished Wall Thickness _____
13. Header Vertical Dimension _____
14. Header Structural Material _____
15. Does Opening Exist Under the Stairs?
 - Yes
 - No
16. Local Code for Rise and Run _____



Notes: